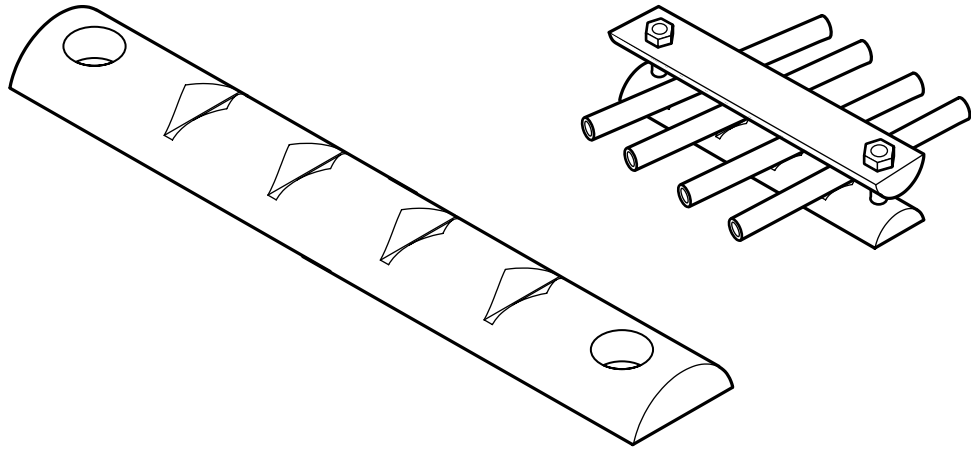


Notched I-Rod®

Notched I-Rod®

Notched I-Rod® is used to keep moisture from collecting in saddles that secure runs of stainless steel tubing. The notches help maintain even spacing between tubes, and the half-round shape of I-Rod® prevents corrosion-causing moisture from becoming trapped against them. I-Rod® is a durable extruded thermoplastic cut into a half-round shape, and is the key component in all of Deepwater's I-Rod® brand pipe supports. Notched I-Rod® is available in lengths of up to 3 feet.

High-temperature versions of I-Rod® (I-Rod HT™) and PEEK (unfilled) are available for harsher conditions. I-Rod HT™ and PEEK have the same dimensions as standard I-Rod, but different specifications.



General

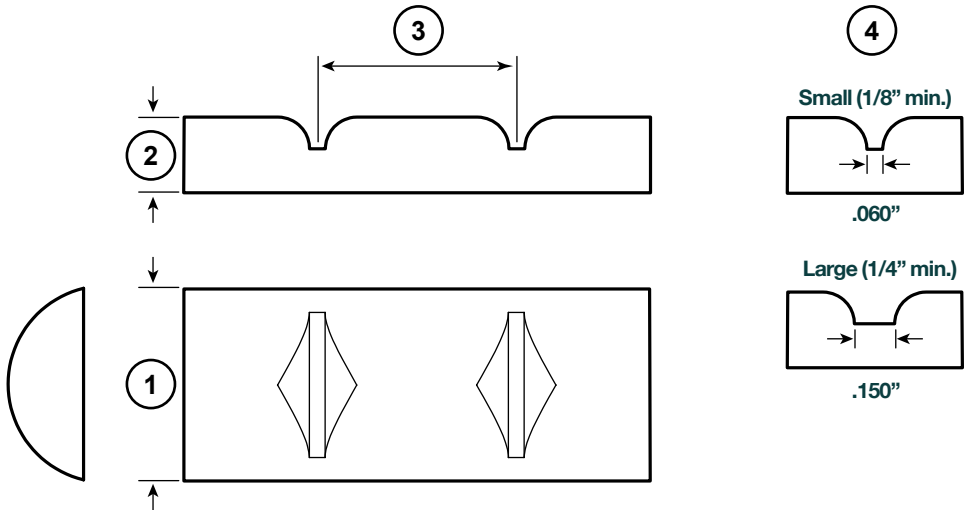
I-Rod® thermoplastic is used for notched I-Rod®

Property

I-Rod

Metric [Imperial]

Density (23°C)	1.41 g/cm ³ [0.0509 lb/in ³]
Tensile strength	64.8 MPa [9.4 ksi]
Tensile modulus	2.62 GPa [380 ksi]
Elongation @ break	30-60%
Flexural modulus	2.76 GPa [400 ksi]
Flexural strength	82.7 MPa [13 ksi]
Comp. strength	103 MPa [15 ksi]
Coefficient of friction	0.25
IZOD impact	0.534 J/cm [1 ft-lb/in]
Rock. hardness M/R	88/120
Min. service temp*	-110 °C [-166 °F]
Max. service temp	83 °C [181 °F]
Melting point	168 °C [329 °F]
Coefficient of linear expan.	97.2 µm/m/°C [54 µin/in/°F]
Heat deflection	104 °C [220 °F]
Flammability rating	HB
Dialectic strength	16.5 kV/mm [420 V/mil]



Notched I-Rod® dimensions (in inches)

Max. tube size	(1) I-Rod® Width	(2) I-Rod® Height	(3) Notch center-to-center	(4) Notch size
1/8	3/4	5/16	1/4	Small
1/4	3/4	5/16	3/8	Small
3/8	3/4	5/16	1/2	Small
1/2	3/4	5/16	5/8	Small
5/8	3/4	5/16	7/8	Large
3/4	3/4	5/16	1	Large
1	3/4	5/16	1 1/4	Large

Modular Notched I-Rod®

Notched I-Rod® is available in modular form, which allows runs of closely-spaced tubing to be attached to stand-offs of varying heights.

