

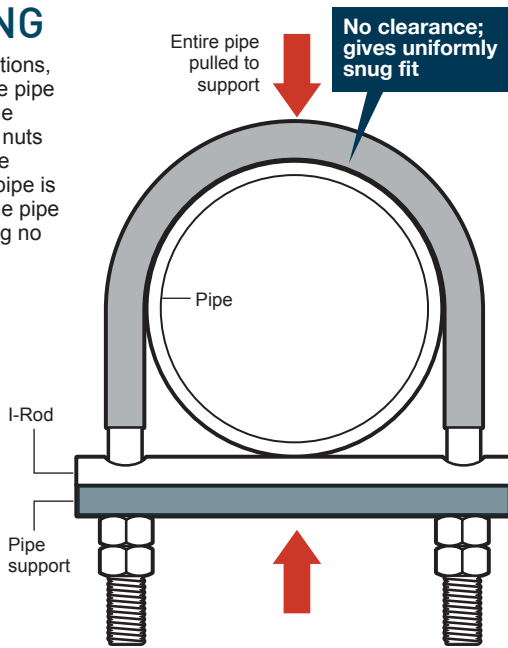


HOW NON-GRIPPING NU-BOLTS™ WORK

I-Rod® is available in a non-grIPPING configuration for pipes that regularly experience lengthwise movement, usually due to expansion and contraction from heat and cold. Here's a look at how it works:

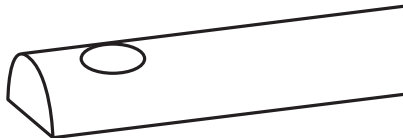
GRIPPING

In these installations, Nu-Bolts pull the pipe firmly against the I-Rod when the nuts on each side are tightened. The pipe is held tightly to the pipe support, allowing no movement.



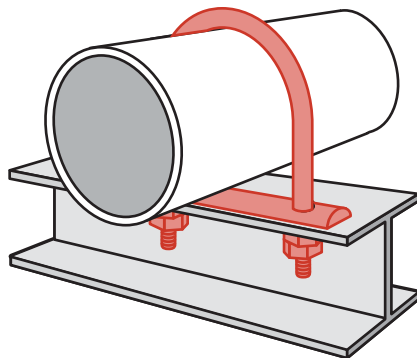
The I-Rod:

Drilled lengths of I-Rod are used for gripping applications; the rounded pipe-contact edge extends to both ends.



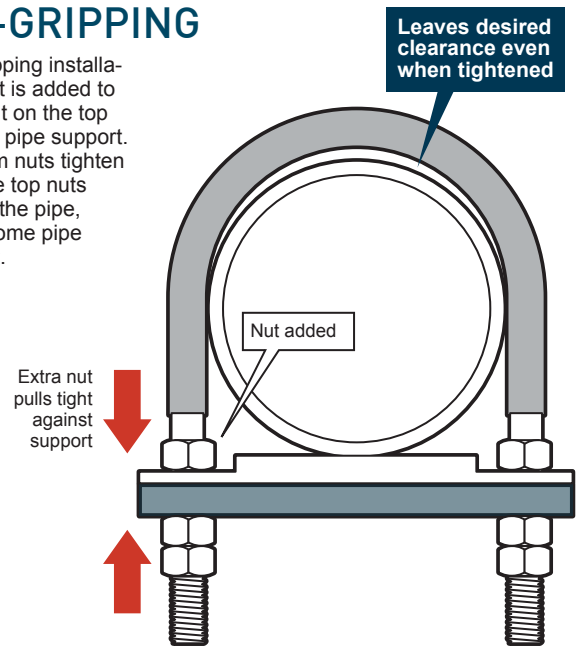
The result:

Pipe is securely attached to pipe support; no movement is permitted.



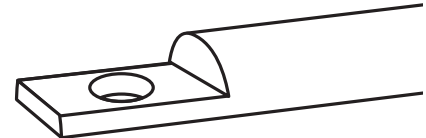
NON-GRIPPING

In non-grIPPING installations, a nut is added to the Nu-Bolt on the top side of the pipe support. The bottom nuts tighten against the top nuts instead of the pipe, allowing some pipe movement.



The I-Rod:

For non-grIPPING applications, each end of the I-Rod is machined flat to accommodate the extra nut on the Nu-Bolt.



The result:

Pipe is securely attached to pipe support, but some lengthwise movement is permitted.

