

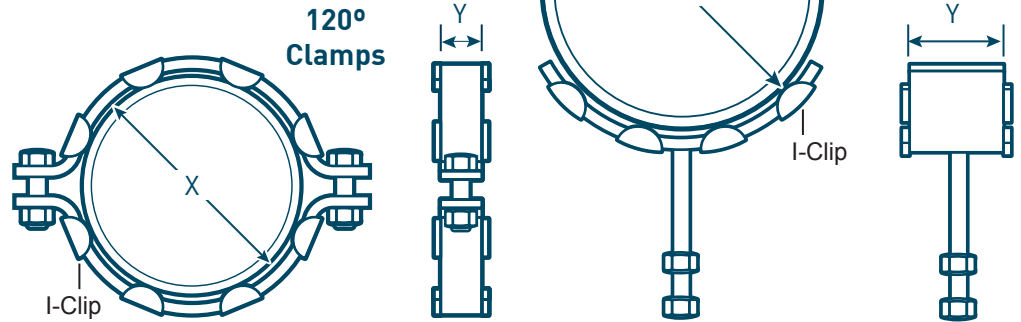


HOW TO ORDER I-ROD™ CLIPS

THE MEASUREMENTS YOU'LL NEED:

X: Diameter of pipe. Either an exact measurement of the pipe and coating, or the pipe specs such as 8" or 10" API.

Y: Width of clamp. The clip snaps in place over the clamp.

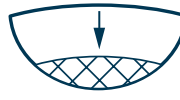


WHAT ARE THE CLIP'S DIMENSIONS?

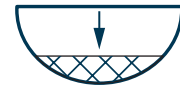


I-Rod Clips are **1 1/2"** wide and **1/4"** thick, with an overall height of **11/16"**. All clips are machined from **1 1/2"** I-Rod.

Clips for pipes **10" and smaller** have an internal radius.



Clips for pipes **larger than 10"** do not.

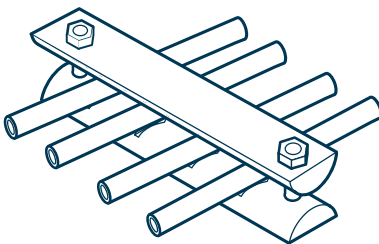


WHAT'S THE OPERATING TEMPERATURE?

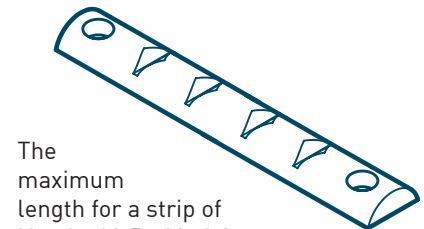
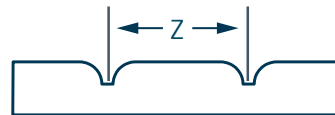
Determine your pipe's maximum operating temperature. Use standard **I-Rod** up to 181°F (83°C); use **I-Rod HT** up to 340°F (171°C) and **PEEK** for temperatures up to 480°F (249°C).



NOTCHED I-ROD FOR STAINLESS STEEL TUBING



Notches are normally spaced **1/2", 5/8", 3/4"** or **7/8"** apart.



The maximum length for a strip of Notched I-Rod is **3 feet**.

WHERE DO YOU ORDER I-ROD?

To order I-Rod, please call us at **+1 (713) 983-7117** between 8 A.M. and 5 P.M. Central, or email us at sales@stoprust.com. I-Rod is also available through our regional agents and Deepwater offices worldwide.

HOW DOES IT SHIP?

The majority of our orders ship via **UPS**.



WHAT'S THE LEAD TIME?

I-Rod Clips are machined once the order is placed, so there is normally a minimum **two-week lead time**. Please call for more info.

