

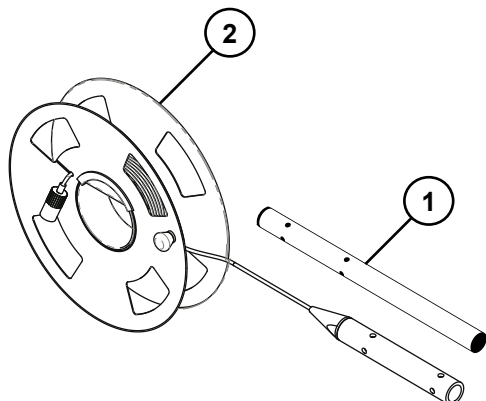
DEEPWATER

REMOTE ELECTRODE SURVEY KIT

General

The Polatrak Remote Electrode Kit upgrades the Deep C Meter™ with EFG and ROV-II to perform “remote electrode” pipeline surveys (also known as “three electrode”, “remote variance” and “close interval” surveys). This kit is compatible with any AD series Deep C Meter™ and requires at least one copper signal wire from the remotely operated vehicle (ROV) to either the tether management system (TMS) or the survey vessel.

With the remote electrode kit installed, the polarity of the first display line is reversed and the second display will now report the remote potential variance while traversing the pipeline. The kit contains one Topside Remote Electrode, a TMS Remote Electrode one Y-Splice and various adapter cables.



TOPSIDE REMOTE ELECTRODE

Electrode elements*

Remote Electrode Kit has two electrode elements.
Ag/AgCl (Silver /Silver Chloride)

Material	Ag/AgCl with silver wire
Accuracy	+/- 5 mV
Application	Seawater

*Ag/AgCl elements provided as standard.

Subsea connector

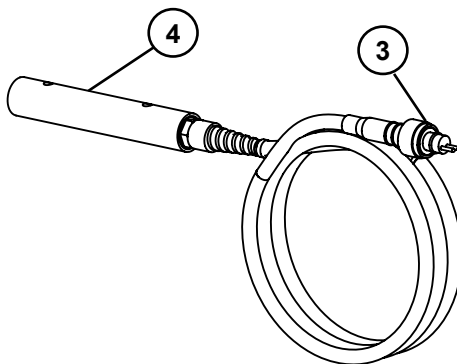
Type	MCIL2M
Pin 1	Element 1
Pin 2	Element 2

Weighted Electrode housing (Item 1)

Features	Free-flooding housing
Material	Grey PVC
Ballast	0.91kg lead shot
Dimensions	Ø 33.6 mm x 457 mm [Ø 1.32" x 18"]
Weight	1.14kg [2.5 lb]

Cable reel with cable (Item 2)

Reel material	PVC
Cable sheath	Polyurethane
Length	30 m [100 ft]
Dimensions	Ø 330 mm x 102 mm [Ø13" x 4"]
Weight	1.82kg [4.0 lb]



TMS REMOTE ELECTRODE

Electrode elements*

Remote Electrode Kit has two electrode elements.
Ag/AgCl (Silver /Silver Chloride)

Material	Ag/AgCl with silver wire
Accuracy	+/- 5 mV
Application	Seawater

*Ag/AgCl elements provided as standard.

Subsea connector (Item 3)

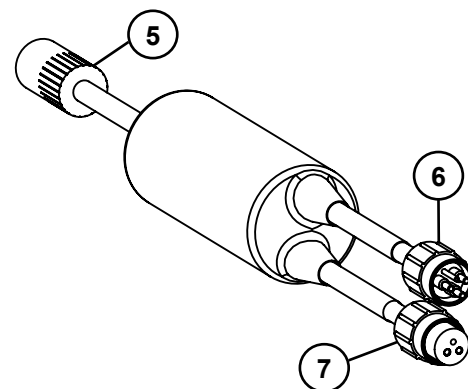
Type	RMG2M
Pin 1	Element 1
Pin 2	Element 2

Electrode housing (Item 4)

Features	Free-flooding housing
Material	Grey PVC
Internal	Electrode elements
Dimensions	Ø 33.6 mm x 268 mm [1.32" x 10.56"]
Dimensions (cable)	1778 mm [70" whip]
Weight (air)	0.68 kg [1.5 lb]

Offshore case

Dimensions (W x H x L)	582 x 457 x 293 mm [22.92" x 17.98" x 11.55"]
Packaged weight	12.7 kg [28 lb]



Y - SPLICE

Specifications

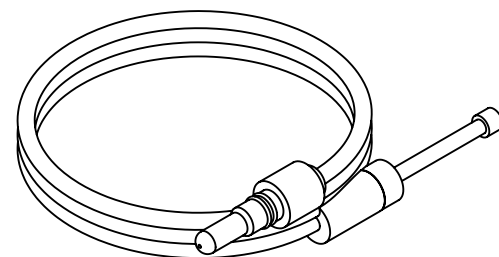
Operating Temp	1C to 40C [34F to 104F]
Voltage Range	-2.5V to 2.5V

Interface

Connection 1 (Item 5)	MCIL 3F (To Deep C Meter)
Connection 2 (Item 6)	MCIL 3M (To ROV II)
Connection 3 (Item 7)	MCIL 2M (To Remote Electrode)
Dimensions	50.8mm x 914mm [Ø 2" x 36"]
Weight (air)	.45kg [1 lb]

Standard kit components

- 2 EA Remote electrode cable
- 1 EA ROV MUX cable (not shown)
- All connectors provided with dummy plugs.



Remote electrode cable