

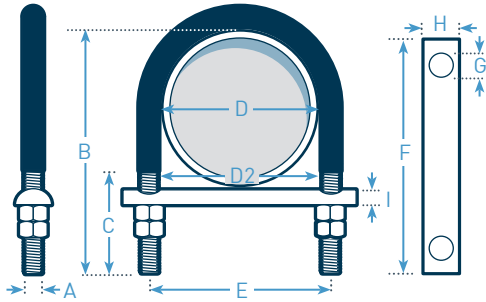


DIN U-BOLT DIMENSIONS (mm)

These part numbers relate to Nu-Bolt™ variant hot dip galvanised U-bolt with Polyshrink, 4 heavy hex nuts and a cut and drilled piece of white I-Rod® (max temp. +83c).

Other variants are also available.

Please ask.



Size (DN)	A	B	C	D2	D	E	
15	M10	83	60	23	20	33	NUB1799
20	M10	84	60	30	27	40	NUB1800
25	M10	87	60	38	35	48	NUB1792
32	M10	95	64	46	43	56	NUB1801
40	M10	102	64	52	49	62	NUB1793
50	M12	114	64	64	61	76	NUB1794
65	M12	133	76	82	79	94	NUB1802
80	M12	148	76	94	91	106	NUB1795
100	M16	173	76	120	117	136	NUB1796
125	M16	198	76	148	145	164	NUB1797
150	M16	241	95	176	173	192	NUB1798
200	M20	305	108	228	225	248	NUB1803
250	M20	351	102	282	279	302	NUB1804
300	M20	408	105	332	329	352	NUB1805
350	M24	440	105	378	375	402	NUB1806
400	M24	491	105	428	425	452	NUB1807
500	M24	602	121	530	527	554	NUB1808